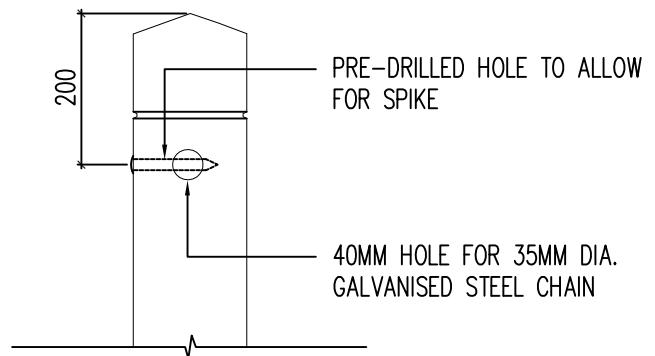


TYPICAL CHAIN

TYPICAL CROSS SECTION FOR RECYCLED BOLLARD WITH CHAIN

NOTES

1. CHAIN TO BE REGULAR LINK GALVANISED STEEL.
2. CHAIN SIZE TO BE 10MM
 F 36MM
 R 41.5MM
 S 10MM
3. SPIKE PLACED IN EACH POST TO SECURE CHAIN FROM MOVING.



TYPICAL CHAIN CONNECTION

CITY OF CASEY

FURNITURE
 RECYCLED BOLLARD WITH CHAIN DETAIL

MANAGER OF ENGINEERING &
 ENVIRONMENTAL SERVICES
 LAST UPDATE 09.11.2012

AMENDMENTS:

S-1021